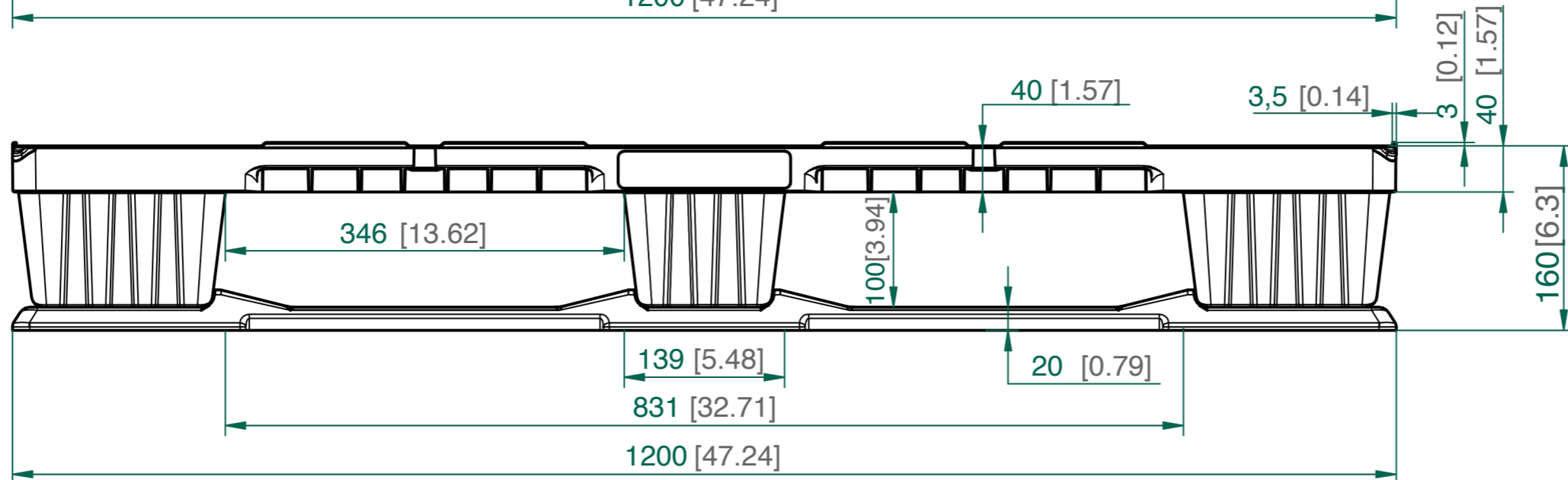
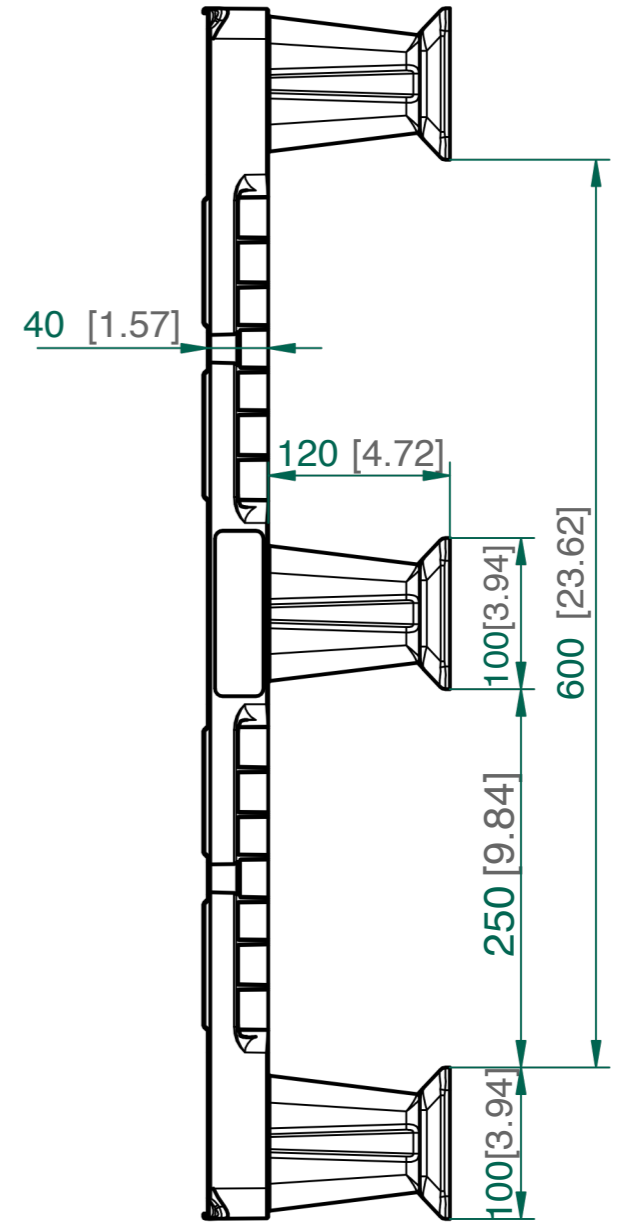
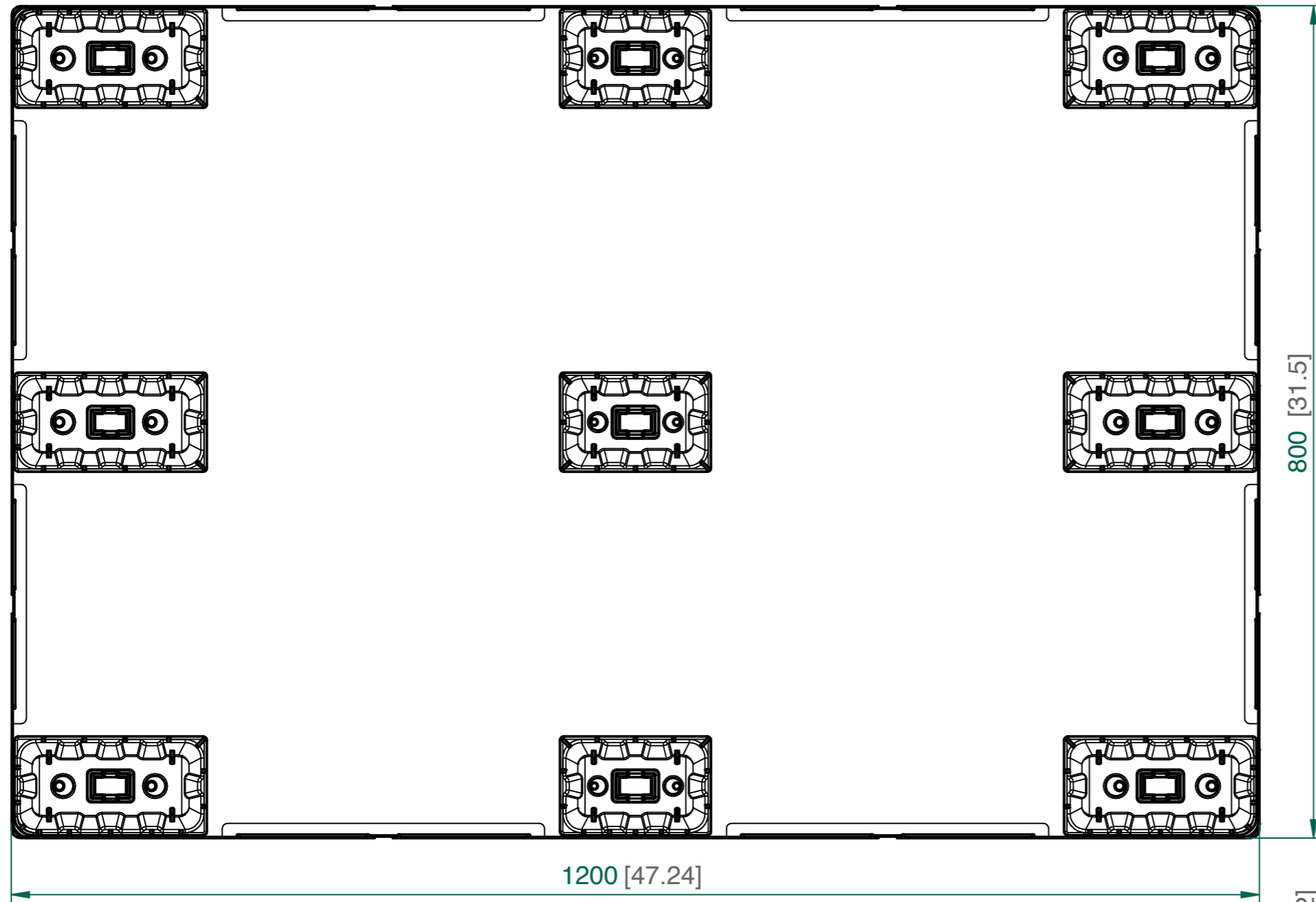


Title **Basic 1208-C3**
 Scale 1:5 | Weight 8,10 kg [17.9 lbs]
 - Dimensional tolerances: DIN ISO2768-V
 - Weight tolerances: ± 4%
 UNITS: mm [in]



Title **Basic 1208-C3**
 Scale 1:5 | Weight 8,10 kg [17.9 lbs]
 - Dimensional tolerances: DIN ISO2768-V
 - Weight tolerances: ± 4%
 UNITS: mm [in]